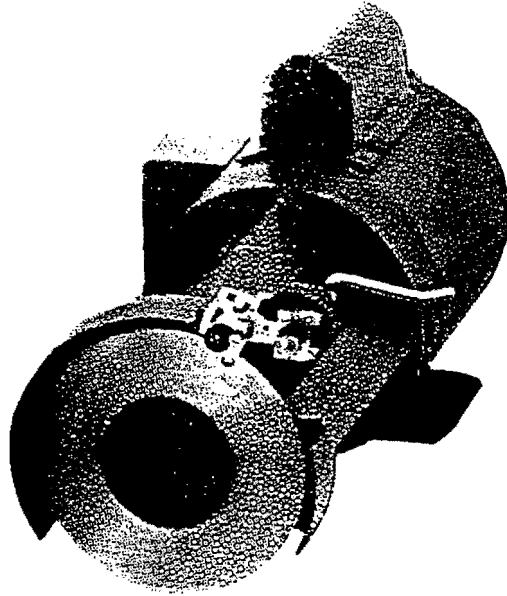


WOLF®
1st/Since 1888

Selvage Cutter



The Wolf Machine Company, 5570 Creek Road, Cincinnati, Ohio 45242, U.S.A.
Telephone: (513) 791-5194 / (800) 543-9653 / Fax (513) 791-0925

From the library of: Superior Sewing Machine & Supply LLC

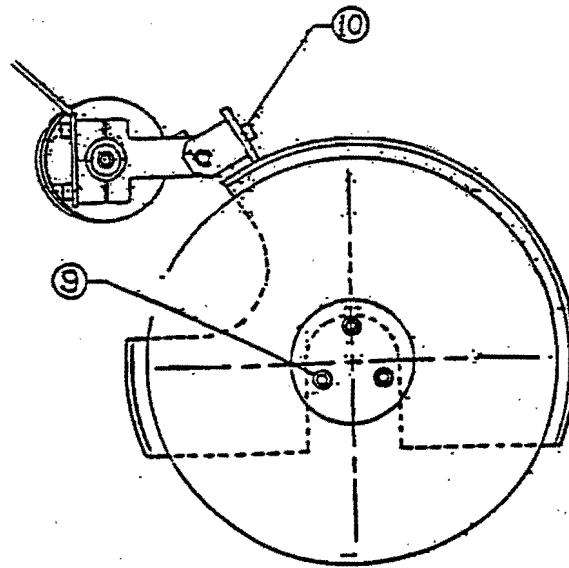
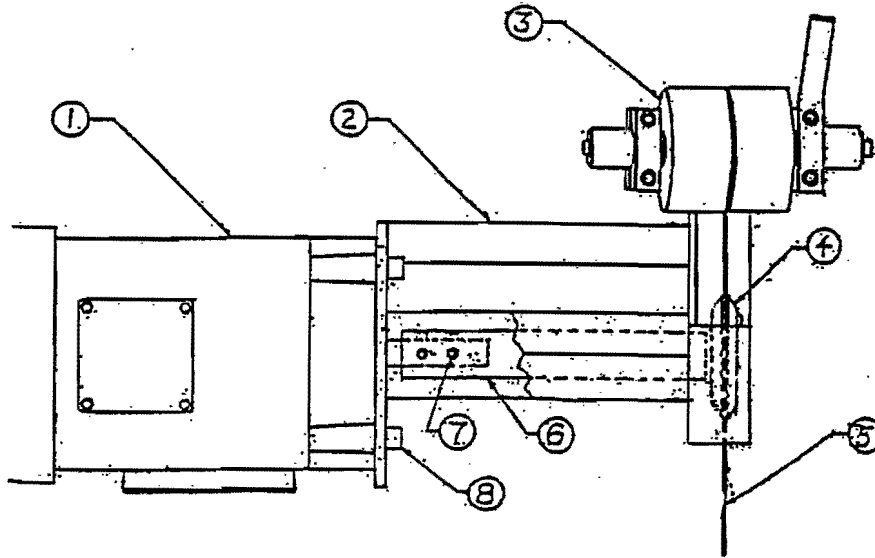
THE WOLF SELVAGE CUTTER IS THE PERFECT MACHINE TO TRIM SELVAGE FROM CARPETING, RUBBER, QUILTING OR ANY OTHER CONTINUOUS ROLL OF SINGLE PLY MATERIAL. THE CUTTER IS DESIGNED TO MOUNT ON A TABLE ON ONE SIDE OF THE ROLL OR BOTH, DELIVERING A CLEAN CUT EDGE. CAN ALSO BE MOUNTED ON TABLE WITH A CUT IN GROOVE OR MOUNTED FROM A TRELLIS. ALSO POPULAR IS TO MOUNT THE SELVAGE CUTTER RIGHT ON AN EMBROIDERY MACHINE OR ONE OF ITS LIKE.

SPECIFICATIONS:

✓
✓
✓
✓

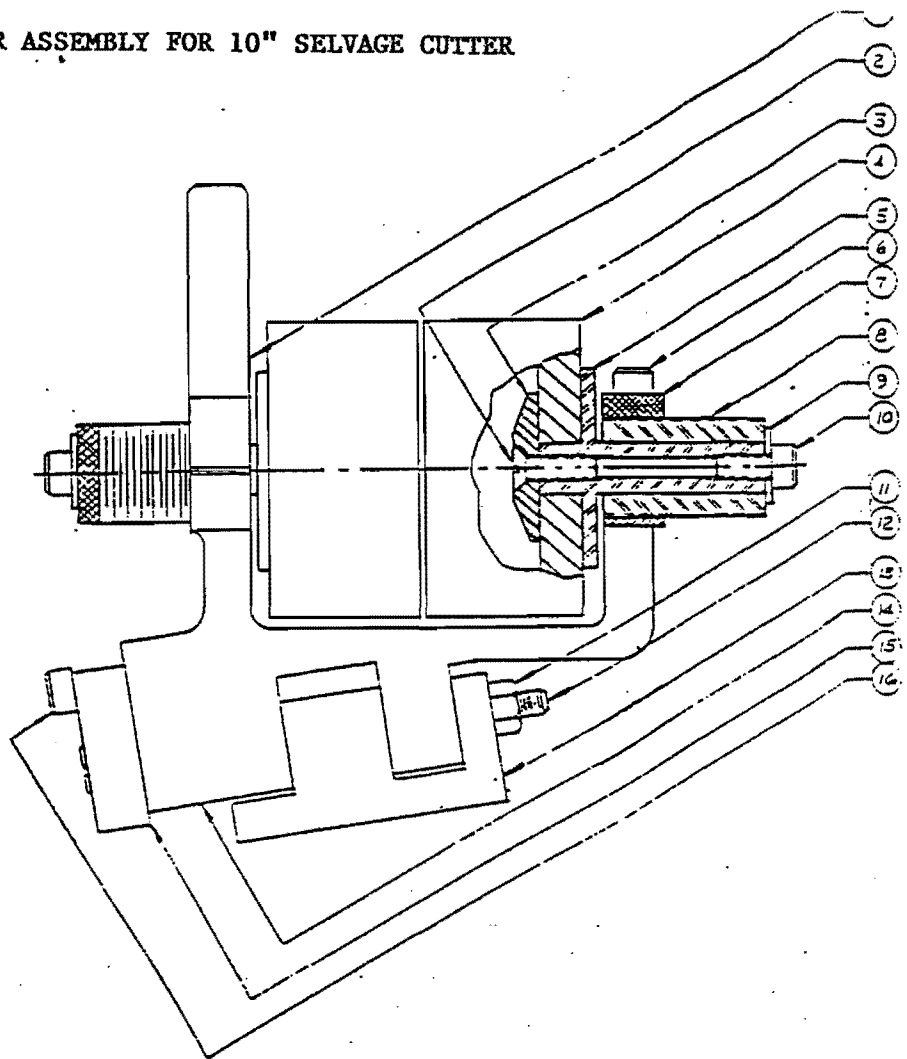
Net Weight	Between 35 & 45 Lbs. (15.89 & 20.43 Kilos)
Cutting Capacity ...	Single Ply 6" (152.40 mm) Single Ply 10" (254 mm)
Motor Currents	110/220 Volts, 1 Phase, 60 Cycle 220/440 Volts, 3 Phase, 50/60 Cycles Note - Special Voltages Available Upon Request
Shafts	Long or Short Available

SELVAGE CUTTER 10" RIGHT/LEFT - LONG/SHORT



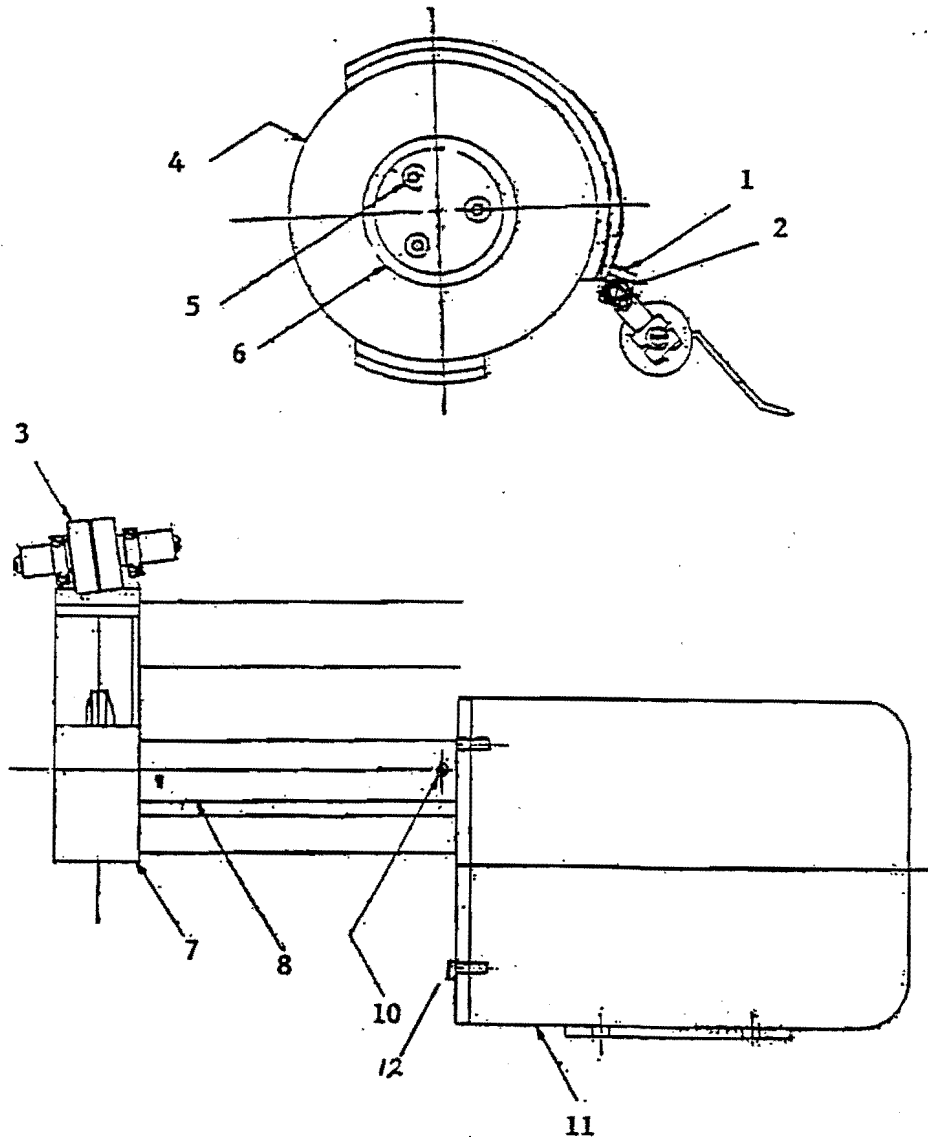
REF. #	PART NUMBER	DESCRIPTION
1	4605200	MOTOR 220/440-3-50
	4605100	MOTOR 110/220-1-60
2	4603068	10" HOUSING - SHORT-RIGHT
	4603060	10" HOUSING - LONG-RIGHT
	4603069	10" HOUSING - SHORT-LEFT
	4603064	10" HOUSING - LONG-LEFT
3	4602559	GRINDER COMPLETE
4	4602900	BLADE FLANGE
5	1431570	10" BLADE HH
	1431671	10" BLADE HSS
6	4602800	DRIVE SHAFT-LONG
	4602801	DRIVE SHAFT-SHORT
7	9901879	SET SCREW
8	9901327	CAP SCREW
9	9901044	CAP SCREW
10	9901296	CAP SCREW

GRINDER ASSEMBLY FOR 10" SELVAGE CUTTER



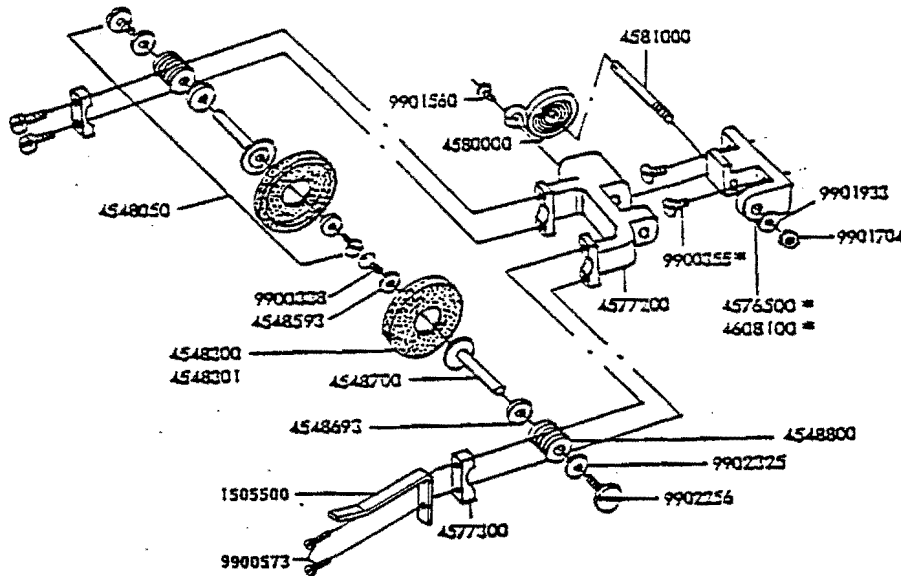
REF #	PART NUMBER	DESCRIPTION
1	4602200	GRINDER HANDLE
2	9900440	FLAT HEAD SCREW
3	4601000	GRINDING WHEEL WASHER
4	4600900	CUP GRINDING WHEEL
5	4600800	EMERY WHEEL SHAFT
6	9901301	SOC. HEAD SCREW
7	4600300	JOURNAL CAP
8	4600600	GRINDER JOURNAL
9	7027600	WASHER
10	9901296	SOC. HEAD SCREW
11	9901678	HEX NUT
12	4601700	GRINDER SHAFT
13	4601500	GRINDER BRACKET
14	4600000	GRINDER YOKE
15	4602000	SPIRAL SPRING
16	9901300	SOC. HEAD SCREW

SELVAGE CUTTER 6" RIGHT/LEFT - LONG/SHORT



REF #	PART NUMBER	DESCRIPTION
1	9900357	GRINDER BRACKET SCREW
2	4576500	GRINDER BRACKET
3	4572159	GRINDER ASSEMBLY COMPLETE
4	1427070	6" BLADE
5	9901044	FLANGE SCREWS
6	4602900	BLADE FLANGE
7	4603070	6" HOUSING ASSY.-SHORT-RIGHT
	4603062	6" HOUSING ASSY.-LONG-RIGHT
	4603066	6" HOUSING ASSY.-LONG-LEFT
	4603071	6" HOUSING ASSY.-SHORT-LEFT
8	4602801	DRIVE SHAFT-SHORT
	4602800	DRIVE SHAFT-LONG
9	9901879	SET SCREW
10	9901327	MOUNTING SCREWS
11	4605100	MOTOR 110/220-1-60
	4605200	MOTOR 220/440-3-50/60
12	9901327	SOC. HD CAP SCR

GRINDER ASSEMBLY FOR 6" SELVAGE CUTTER



PART NUMBER	DESCRIPTION
4548050	EMERY WHEEL & SHAFT COMPLETE
4548250	SHAFT COMPLETE S.A. (not shown)
4548300	EMERY WHEEL 150 GRIT
4548301	EMERY WHEEL 220 GRIT
4548593	EMERY WHEEL WASHER
4548693	NYLON WASHER
4548700	EMERY WHEEL SHAFT
4548800	GRINDER JOURNAL
4672169	GRINDER FRAME COMPLETE S.A.
4577200	GRINDER FRAME
4577300	GRINDER FRAME CAP
4580000	GRINDER SPRING
4581000	GRINDER SHAFT
9900338	LOCKING SCREW
9900573	SCREW (for 4577300)
9901560	SCREW TO SECURE SPRING
9901704	NUT TO SECURE GRINDER SHAFT
9901933	LOCK WASHER
9902256	SCREW TO SECURE JOURNAL
9902325	WASHER
1505500	GRINDER TRIGGER